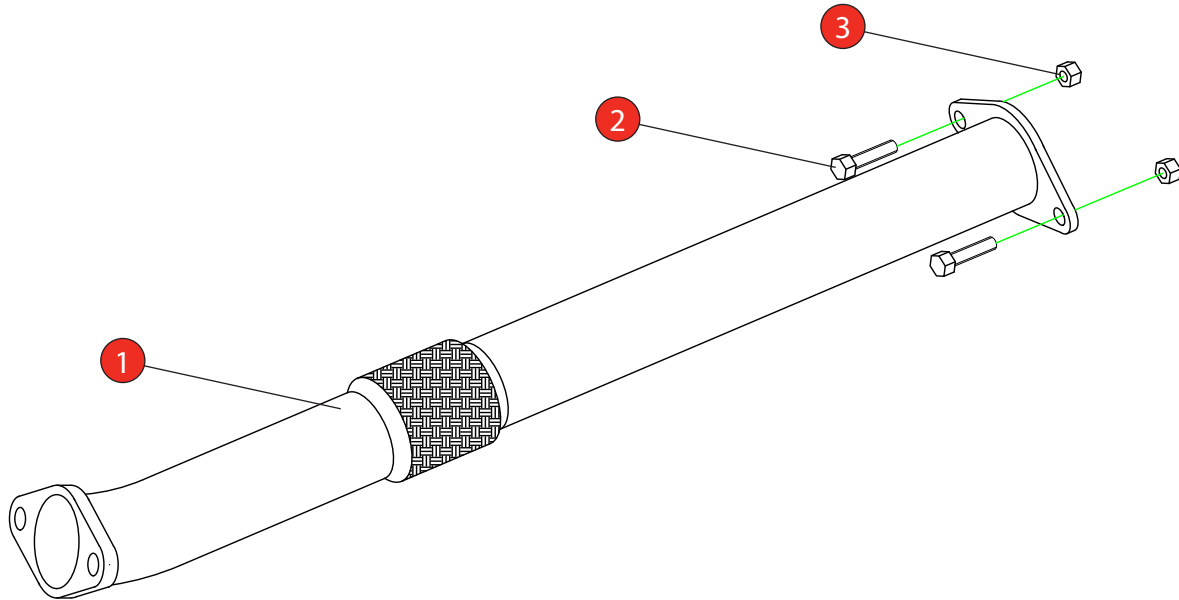


| | | | |
|--------------|--|-----------------|------------------------|
| Car | Alfa Romeo Giulietta 2.0 Diesel | Part No. | SARP004 |
| Year | 2010-Current | Fit Kits | 102FK |
| Notes | Where not supplied use original fittings | Features | Pipe Diameter:- 63.5mm |

Estimated Fitting Time: 90 Minutes



| NO. | PART NO. | DESCRIPTION | QTY |
|----------------|------------|------------------------|-----|
| 1 | 035AR | Front Flex Pipe | 1 |
| Fit Kit | | | |
| 2 | Z017.10094 | M10 x 30 Hex Head Bolt | 2 |
| 3 | Z017.11017 | M10 Nut | 2 |

| | |
|------------|----------|
| E-MARK | N/A |
| DATE | 21/08/17 |
| ISSUE | 00 |
| AUTHORISED | M.Ydlibi |

NOTE: ENSURE SCORPION SYSTEM IS CLEAR OF MOVING PARTS AND ALL ORIGINAL FUNCTIONS WORK CORRECTLY.



STAY CONNECTED TO RED POWER.